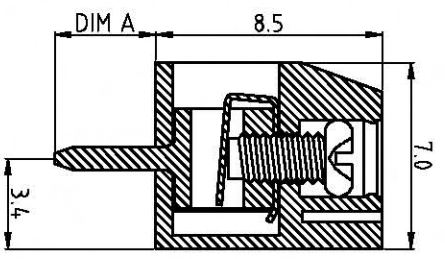
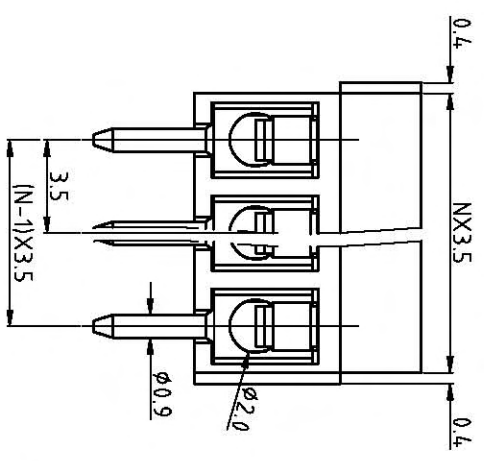
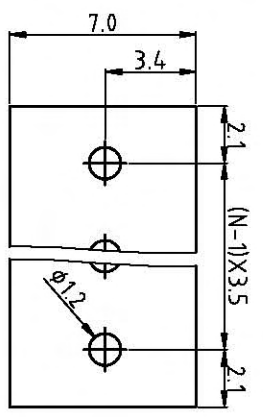
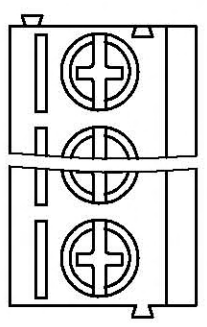


SIGN	DESCRIPTION	DATE	APPROVER



NOTE	
DIMA	Left
0	3.8
1	4.2



P.C.B. LAYOUT

Technical Data:

Material:

- Contact(metal housing): Copper Alloy
- Terminal screw: Steel galvanized and with Cr3+ plated
- Wire guard: Stainless steel
- Surface of solder tail: tin plated
- Insulator body(housing): Polyamide(UL94V-0)

Electrical

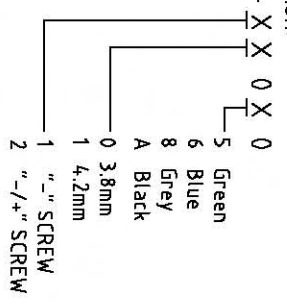
- Voltage rating: 150VAC
- Current rating: 10 Amps/way max
- Contact resistance: 20mΩ(max)
- Withstanding Voltage: 2000VAC(1min) Test time=60sec/1pcs
- Wire range: 16-30AWG

Mechanical:

- Torque: 2.0kgf.cm/M2
- Operating temperature: -40°C to +105°C
- Soldering reliability: Test temperature= 250°C(±10°C)

Ordering Information:

- 5 seconds max
- F13 - 1 - 3 XX - X X 0 X 0
- 2 02
- 10 10



WELINK 拓尔普电子科技有限公司
Welink International Co., LTD.

TOLERANCE	APPROVED:	NAME:
X: ±0.50	CHECKED:	F13 - 1 - pitch 3.5mm
X.X ±0.30	DRAWN: Yang Ming	- series
X.XX ±0.20	2011.10.31	
X° ±1°	UNITS: mm	PART NO: F1313XX200X0
	SCALE: 5 / 1	DWG NO: 9F1313001A
	PAGE: 1 / 1	

